

ML290 Retractable Clothes Line

Material Specifications

- #304 Stainless Steel Body & Bracket
- Vinyl Cord
- White Vinyl Knob & Locking Nut

Mounting

- Polished Stainless Steel

Dimensions

- 90mmØ x 60mm Projection
- **Cord:** 3000mm Retractable Cord

Finish

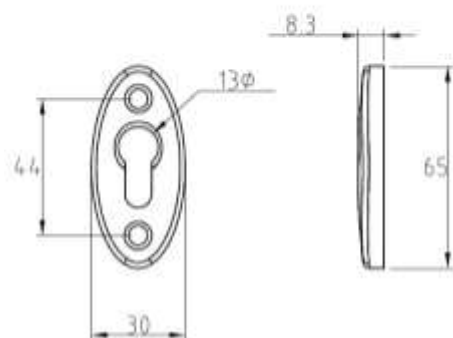
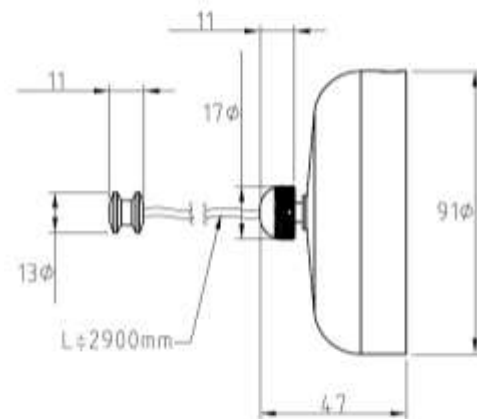
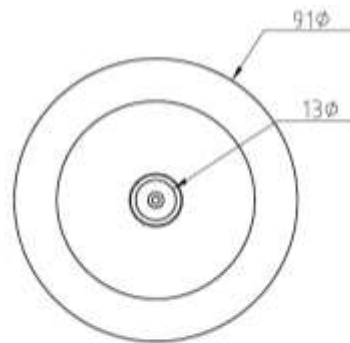
- Surface Mount Concealed/Visible Fix

Installation Guidelines

- *May be subject to Australian Building Code Regulations for height and location fixing and may be subject to placement as per architectural drawings. In all cases, this is the responsibility of the installer.*
1. Determine appropriate installation height and location for the clothes line unit and for knob retainer plate on opposite wall, ensuring both points are level and even.
 2. Attach mounting bracket in vertical position to finished wall with screws and place the white nylon circle disc between the wall and the mounting bracket.
 3. Attach retainer plate on opposite wall and place white nylon oval disc between the wall and the retainer plate, so that the top of the retainer plate is at the same height from the floor as the top of the mounting bracket. This will ensure that the cord is level when in use.
 4. Place set screw at the top of the mounting bracket and correctly place the unit on the mounting bracket.
 5. Tighten set screw to secure the unit to the mounting bracket. Check unit is level and secure to complete installation.

Operation

- Pull out clothes line and hook cord knob into retainer plate on opposite wall. Turn centre locking knob clockwise to keep strain off cord when in use. Nylon cord retracts by spring actuated reel, when centre locking knob is released and clothes line is removed from retainer plate.



The technical recommendations contained in this document are necessarily of a general nature and should not be relied on for specific applications without first securing competent advice. Whilst Metlam Australia Pty Ltd has taken all reasonable steps to ensure the information contained herein is accurate and current, it does not warrant the accuracy or completeness of the information and does not accept liability for errors or omissions. Any Commercial product should only be installed by a competent tradesperson and serviced/maintained by knowledgeable janitorial staff or competent people. Metlam Australia accepts no responsibility for any damage to product, walls or fixtures due to incorrect installation or maintenance of any of their products.

The photographs and line drawings of the products presented above are representational only. Metlam Australia Pty Ltd reserves the right to, and from time to time, make changes and improvements in design and dimensions.